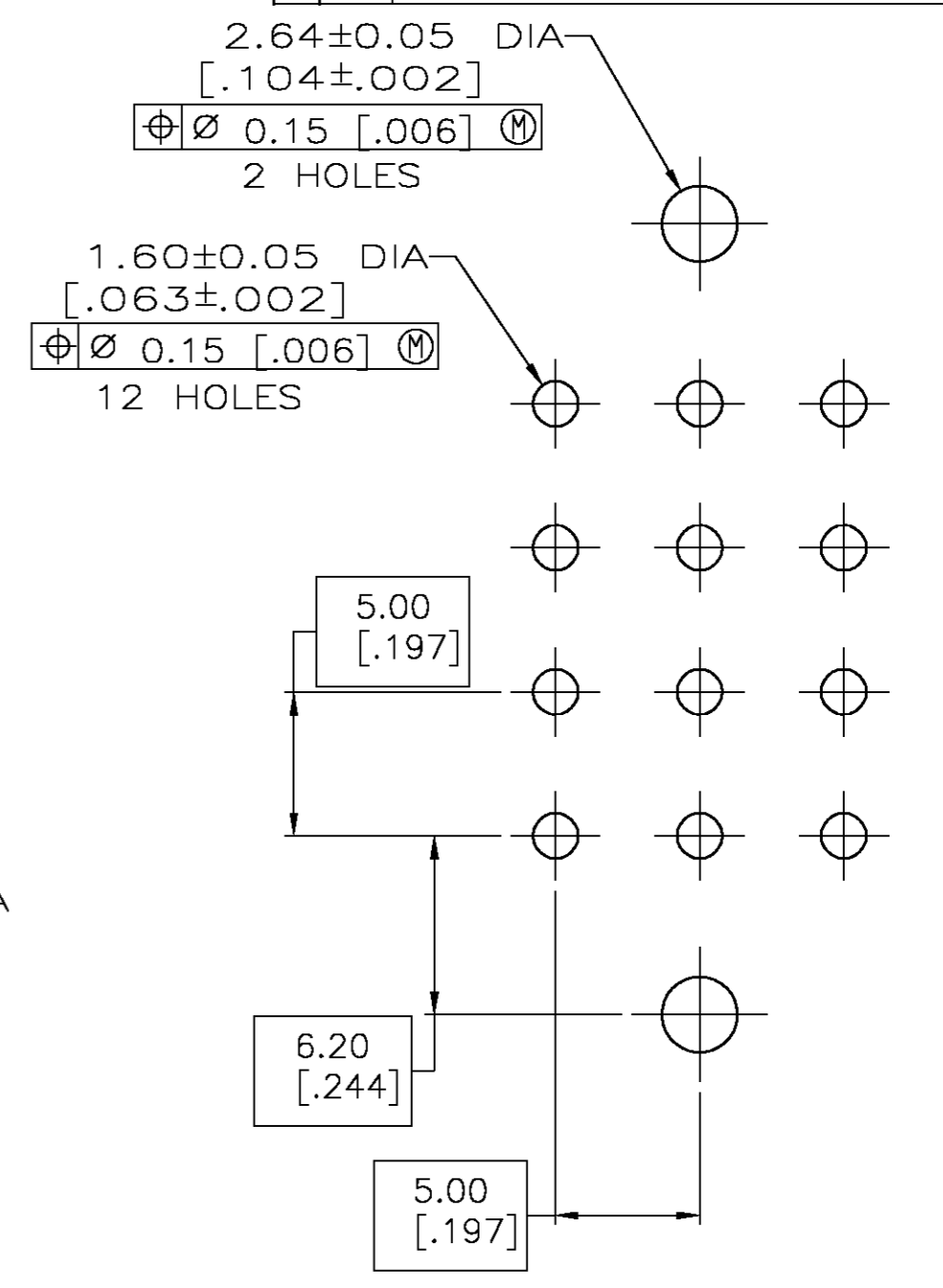
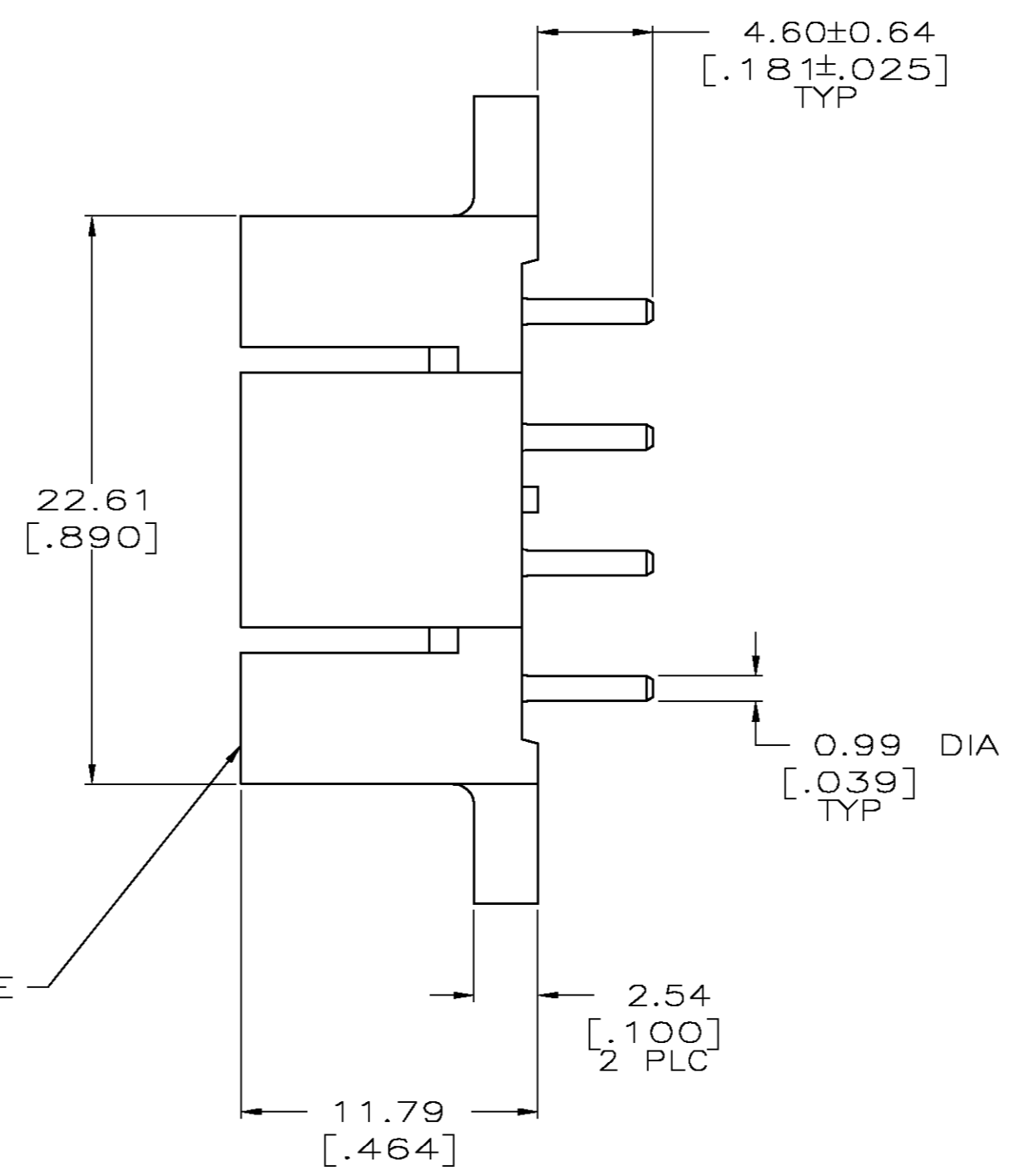
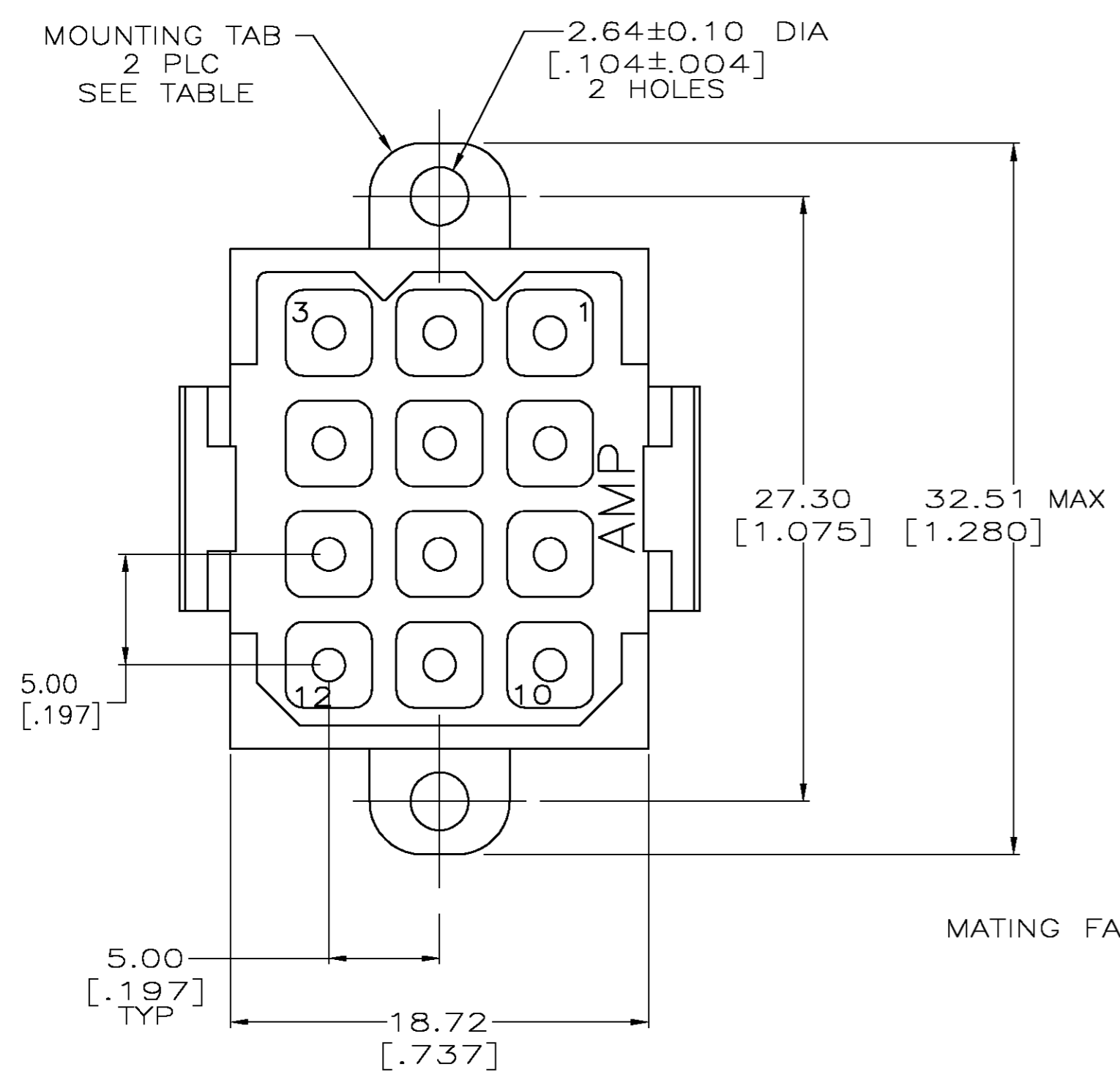
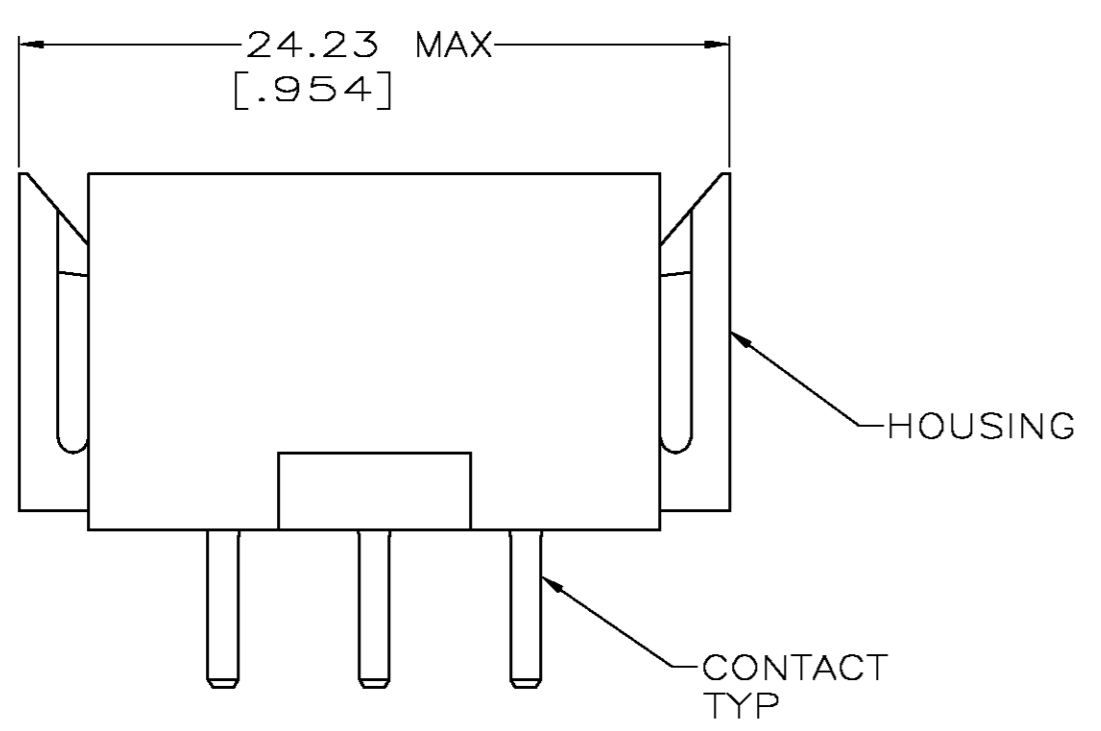


THIS DRAWING IS UNPUBLISHED. RELEASED FOR PUBLICATION
 © COPYRIGHT BY TYCO ELECTRONICS CORPORATION. ALL RIGHTS RESERVED.

LOC		DIST		REVISIONS			
P	LTR	DESCRIPTION	DATE	DWN	APVD		
FT	0	S	REVISED PER 0G3B-0164-05	3/8/05	SS	GS	



RECOMMENDED PC BOARD LAYOUT



- ① NYLON, UL 94V-0 RATED, RED.
- ② BRASS PER ASTM B36.
- ③ 3.81um [.000150] MIN TIN OVER 2.54um [.000100] MIN COPPER.
- ④ 0.76um [.000030] MIN GOLD FOR A LENGTH OF 5.08 [.200] FROM MATING END, 3.81um [.000150] MIN TIN-LEAD FOR A LENGTH OF 4.83 [.190] MIN FROM OPPOSITE END, BOTH OVER 1.27um [.000050] MIN NICKEL.
- ⑤ SELECTIVELY LOADED CONTACTS IN POSITIONS 1 THRU 5, 7 THRU 12.
- ⑥ 3.81um [.000150] MIN TIN OVER 2.54um [.000100] MIN COPPER.

- ④ 0.76um [.000030] MIN GOLD FOR A LENGTH OF 5.08 [.200] FROM MATING END, 3.81um [.000150] MIN TIN FOR A LENGTH OF 4.83 [.190] MIN FROM OPPOSITE END, BOTH OVER 1.27um [.000050] MIN NICKEL.

⑥	YES	⑤ 1-207120-2
⑦	NO	1-207120-1
⑥	NO	1-207120-0
⑥	YES	207120-9
⑦	YES	207120-8
③	YES	⑤ 207120-7
④	NO	207120-4
④	YES	207120-3
③	NO	207120-2
③	YES	207120-1

CONTACT FINISH MOUNTING TABS PART NUMBER

THIS DRAWING IS A CONTROLLED DOCUMENT.

DWN	L.SIPE	03/11/92	 Tyco Electronics Corporation Harrisburg, Pa 17105-3608
CHK	R.STONE	3-17-92	
MATERIAL	HOUSING: 1	FINISH	CONTACT: SEE TABLE
DIMENSIONS: mm [INCHES]		TOLERANCES UNLESS OTHERWISE SPECIFIED:	
		0 PLC ± - 1 PLC ± - 2 PLC ± 0.25 [.010] 3 PLC ± - 4 PLC ± - ANGLES ± -	
PRODUCT SPEC 108-10033		APPLICATION SPEC -	
WEIGHT		-	
SCALE		4:1	
SHEET		1 OF 1	
REV		S	

CUSTOMER DRAWING